



TOWN OF GOLDEN BEACH

One Golden Beach Drive, Golden Beach, FL 33160
Phone: (305) 932-0744 Facsimile: 933-3825
Building Department hours 8:30am-12:00pm and 1:30pm-3:30pm
Closed On Fridays at 12 Noon

DEMOLITION REQUIREMENTS

IMPORTANT NOTICE: In order to obtain a demolition permit, the following permits (numbers 1-4) below must be issued, and pass the final inspection prior to applying for a demolition permit. Please number the submission documents accordingly with the appropriate number from list.

1. Sewer capping permit. A certified plumbing contractor must obtain a permit. **Required final inspection prior to demolition permit submission (attach final inspection ticket).**
2. Temporary Construction Site Fencing permit; 6' perimeter fencing with green/black wind screen. Fencing to be installed around the entire site. Zone 1 (East side of Ocean Boulevard) see Temporary Construction Fence- Zone 1 Guidelines for the requirements. **Required final inspection prior to demolition permit submission (attach final inspection ticket).**
3. Compliance with NPDES– Public works Permit for construction site erosion and sediment control- **Required final inspection prior to demolition permit submission (attach final inspection ticket).** (copy attached to this package)
4. Portable Toilet permit: **Required installation inspection prior to demolition permit submission (attach inspection ticket).** Please note this permit is only valid for a period of one hundred eighty (180) days. If you wish to keep the Portable Storage Unit for a longer period, you will have to come in prior to the end of the 180-day period and re-apply for the permit. Once you remove your portable storage unit, you must call the building department to schedule a “final” inspection. Once it’s verified that the unit has been removed, the permit will be closed.
5. Demolition of Structures (Section 50-11) - Refer to certain items, which are required to be submitted with the permit application. (copy attached)
6. Vegetation Survey (Sec. 52-5(2) (copy attached).
7. Town of Golden Beach Tree permit removal (Sec. 52-12) (copy attached). A separate permit is required.
8. Tree removal permit from DERM RER a/k/a DERM (305) 372-6574
9. Gas Company Notification- Disconnect letter Teco Peoples Gas (305) 940-0139
10. Electrical Service Removal- Disconnect letter Florida Power & Light 1-800-226-5885
11. Water Service Removal– Disconnect letter N. Miami Beach Public Utilities 305) 948-2967
12. Television cable- Disconnect letter **Atlantic Broadband (305) 861-8069**

13. Telephone –internet- Disconnect letter
14. Termite/Rodent Control Letter – exterminating company (Letter: Statement of Treatment for Rodents and Varmints)
15. Notarized affidavit for removal & disposal of on-site mechanical equipment by a licensed mechanical contractor.
16. A written estimate, certified by a registered landscape architect, specify the cost of implementing the regrading and revegetation plans.
17. Proof of ownership for property to be demolished.- Warranty Deed
18. Current signed and sealed survey (not less than 6 months old) - **2 copies required.**
19. Demolition plans and specification- **2 copies required.**
20. Building Permit Application along with up-front process fee is required at the time of permit application submittal: Fee base is 1% x demolition cost. Permit application requests will not be accepted without this fee.
21. Contractor Registration package- form up-to-date with copies of all licensing is required prior to the time of permit application submittal. Our dept. will not make copies of your licensing.

IMPORTANT NOTE PRIOR TO DEMOLITION

22. Notify the Underground Notification Bureau **SUNSHINE at 1-800-432-4770** prior to demolition, so all facilities can be accurately located.
23. Notice to Contractor holding permit: **WET DEMOLITION IS REQUIRED. Form attached (See attached)**
24. At the time of permit pick up the permit holder or agent will need three separate checks:
 - a. A check for payment of the permit fees.
 - b. A check for payment of the cash bond separate from all other checks, in the name of the contractor in the amount of \$5,000.00.
 - c. A check for payment of the cost to re-grade and re-vegetate the property, equal to 150% of that cost, to be paid by either the owner or contractor. These funds will not be returned until such time as a permit to build is issued.

PLEASE NOTE: A DEMOLITION PERMIT CAN ONLY BE ISSUED ONCE ALL THE INFORMATION HAS BEEN PROVIDED TO THE BUILDING DEPARTMENT.

If you need further information, please contact our Building Department at (305) 932-0744.

Town of Golden Beach

Temporary Construction Fence – Zone 1

Guidelines

Construction signage and temporary fencing for Ocean Front properties under construction
- East Side Ocean Boulevard – Zone 1:

- (1) Requires pre-approval of Graphics and Murals, paint color, and permitting of fence and entry gate structures.

Graphics and painted murals on temporary construction fences are permitted for the aesthetic enhancement of the fence and advertisement of the project to be constructed

- (2) Maximum number: one piece of signage per construction site.

- (3) Maximum signage area for fencing abutting Ocean Boulevard:

10 square feet of graphics/murals for frontage of 50 ‘up to <75’

15 square feet of graphics/murals for frontage of 75’ up to <100’

30 square feet of graphics/murals for frontage of 100’ or more

- (4) Maximum sign height: six feet. (Permissible fence height)
- (5) Length of display: permitted for a twelve-month period from day of building permit issuance or until construction is completed, provided active construction is ongoing.
- (6) Construction materials: Framed Plywood affronting Ocean Boulevard
Side and rear yard – Chain link containing a top bar with
Green windscreen.



TOWN OF GOLDEN BEACH

1 GOLDEN BEACH DRIVE
GOLDEN BEACH, FL 33160

National Pollution Discharge Elimination System (NPDES) **Construction Site Erosion and Sedimentation Control**

Introduction: The Town of Golden Beach participates as a co-permittee with Miami-Dade County in the National Pollution Discharge Elimination System (NPDES) program. The program is aimed at improving storm water runoff water quality. The Town of Golden Beach must address specified activities and program compliance stated within the Annual Reports and permit conditions. The permit conditions require the Building Department, Planning & Zoning Department, Public Works Department, and Code Compliance Department to enforce the following activities as part of the Construction Site Erosion and Sedimentation Control (construction activity means the act of developing or improving land that involves the disturbance of soils and includes clearing, grading, and excavation. FDEP has determined that demolition activities also meet the definition of construction activity):

1. **Submission of Erosion & Sedimentation Control plan:** Applicants for new construction projects or substantial improvements (i.e., additions, pools, etc.) shall submit as part of the mandatory permit submittal documents of an erosion and sedimentation control plan for the development of the site. The qualifier for the permittee shall attest by his notarized signature that the erosion and sedimentation control plan will be maintained for the duration of the permitted construction activities (see below).
2. **Best Management Practices (BMPs) for Erosion and Sedimentation Control:** Three (3) mandatory erosion and sedimentation control best management practices shall always be implemented at each development site. These are:
 - a. **Temporary Gravel Construction Entrance & Exit** (See Attachment A).
 - b. **Storm Drain Inlet Protection** (See Attachment B).
 - c. **Staked Turbidity Barrier (Silt Fence)** (See Attachment C).

NOTE: The Preceding three elements of the plan must be implemented at the development site, inspected and approved by the Building Official or designated inspector prior to the acceptance of the first mandatory Florida Building Code inspection request.

3. **Compliance with Erosion and Sedimentation Control Plan:** Mandatory Florida Building Code inspections and inspection for erosion and sedimentation control shall be performed simultaneously with construction inspections. Failure to maintain erosion and sedimentation control measures during the entire construction phase will result in a rejected inspection request and/or Code Compliance Department action to be treated as a violation of the City's Code or Ordinance by the Code Compliance Officer.
4. **Other applicable Environmental Permits:** The Contractor is responsible to obtain any applicable environmental permits which includes and is not limited to the [SFWMD ERP](#), [FDEP CGP](#), or [MDC DERM](#). Contractor is to review the eligibility of their construction activities and obtain all applicable permits as required under each permit condition.



TOWN OF GOLDEN BEACH

1 GOLDEN BEACH DRIVE
GOLDEN BEACH, FL 33160

I hereby agree to maintain the attached erosion and sedimentation control plan for the duration of the construction phase.

General Contractor - Company Name

Notary

Name of Qualifier

License Number of Qualifier

Signature of Qualifier

Day of _____ 20____

Attachment A: Stabilized Construction Entrance & Exit

Temporary Gravel Construction Entrance & Exit

Definition:

A stone stabilized pad located at points of vehicular ingress and egress on a construction site.

Purpose:

To stabilize entrances to the construction site and reduce the amount of sediment transported onto public roads by motor vehicles or runoff.

Planning Considerations:

Construction entrances provide an area where mud can be removed from construction vehicle tires before they enter a public road. If the action of the vehicle traveling over the stabilized pad is not sufficient to remove most of the mud, then the tires must be washed before the vehicle enters a public road. If tire washing is provided, provision must be made to intercept the wash water and trap the sediment before it is carried offsite. Construction entrances should be used in conjunction with the stabilization of construction roads to reduce the amount of mud picked up by construction vehicles.

Design Criteria:

Aggregate Size

FDOT No. 1 Coarse Aggregate (1.5 – 3.5 inch stone) (4 – 9 cm) should be used. Wood chips may be used for single family residential construction, provided that they can be prevented from floating away in a storm. Manufactured products also are available to prevent or reduce the amount of sediment tracked onto roadways. If a stabilized exit is not sufficient, street sweeping can be provided as an additional measure.

Entrance Dimensions

If stoned is used, the aggregate layer must be at least 6 inches (15 cm) thick. It must extend the **full width** of the vehicular ingress and egress area. The length of the entrance must be at least 50 feet (20 m). The entrance should widen at its connection to the roadway to accommodate the turning radius of large trucks. (See Figure 1 – Temporary Gravel Construction Entrance)

Construction Specifications

The entrance area should be cleared of all vegetation, roots, and other objectionable material. A geotextile should be laid down to improve stability and simplify maintenance when gravel is used. The gravel shall then be placed over the geotextile to the specified dimensions.

Maintenance:

The stabilized construction exit shall be maintained in a condition that will prevent the tracking or flow of mud onto public rights-of-way. This may require periodic maintenance as conditions demand, and the repair and/or cleanout of any structures used to trap sediments. All materials spilled, dropped, washed, or tracked from vehicles onto roadways or into storm drains must be removed immediately. Sweep the paved road as needed.

Figure 1 – Temporary Gravel Construction Entrance

CHAPTER 4: BEST MANAGEMENT PRACTICES FOR EROSION AND SEDIMENTATION CONTROL

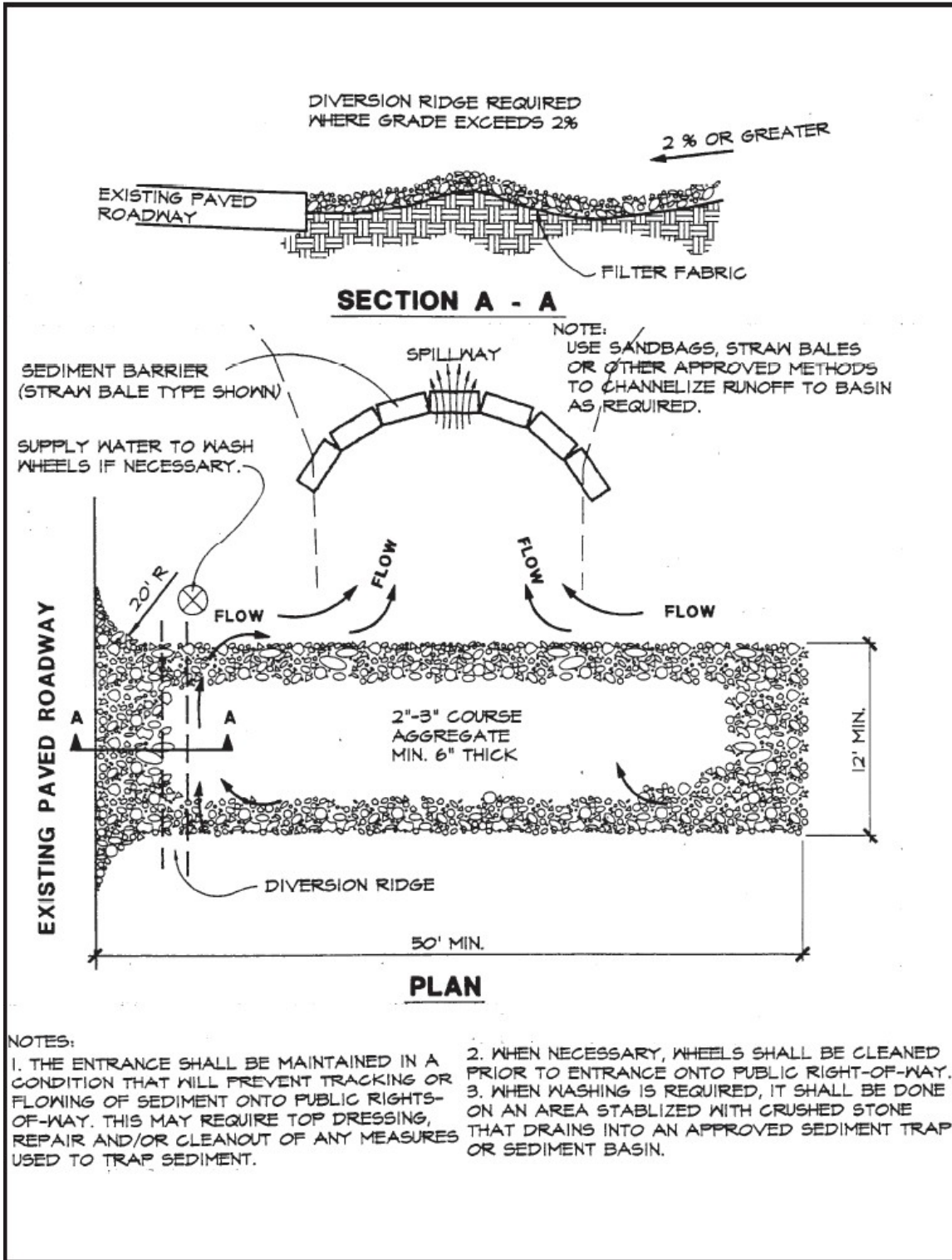


Figure 4.3a. Temporary Gravel Construction Entrance

Source: Erosion Draw

Attachment B: Storm Drain Inlet Protection

Storm Drain Inlet Protection

Definition:

A sediment filter or an excavated impounding area around a storm drain drop inlet or curb inlet.

Purpose:

The purpose of a storm drain inlet is to prevent sediment from entering storm water conveyance systems prior to permanent stabilization of the disturbed area.

Condition Where Practice Applies:

Practice applies where storm drain inlets are to be made operational before permanent stabilization of the disturbed drainage area. Different types of structures are applicable to different conditions (See Figures 2 through 12).

Planning Considerations:

Storm sewers that are made operational before their drainage area is stabilized can convey large amounts of sediment to receiving waters. In the case of extreme sediment loading, the storm sewer itself may clog and lose most of its capacity. To avoid these problems, it is necessary to prevent sediment from entering the system at the inlets.

There are several types of inlets filters and traps, which have different applications depending on the site conditions and type of inlet. Other innovative techniques for accomplishing the same purpose are encouraged, but only after specific plans and details are submitted to and approved by the storm water permitting agency.

Note that these various inlet protection devices are for drainage areas **less than 1 acre (0.4 ha)**. Runoff from large, disturbed areas should be routed through a Temporary Sediment Trap.

Design Criteria:

1. The drainage area shall be no greater than 1 acre (0.4 ha).
2. The inlet protection device shall be constructed to facilitate the cleanout and disposal of trapped sediment and to minimize interference with construction activities.
3. The inlet protection device shall be constructed so that any resultant ponding or storm water will not cause excessive inconvenience or damage to adjacent areas or structures.
4. Figures 2 through 12 provide specific design criteria for each particular inlet protection device.

Figure 2 - Gravel and Wire Mesh Drop Inlet Sediment Filter

CHAPTER 4: BEST MANAGEMENT PRACTICES FOR EROSION AND SEDIMENTATION CONTROL

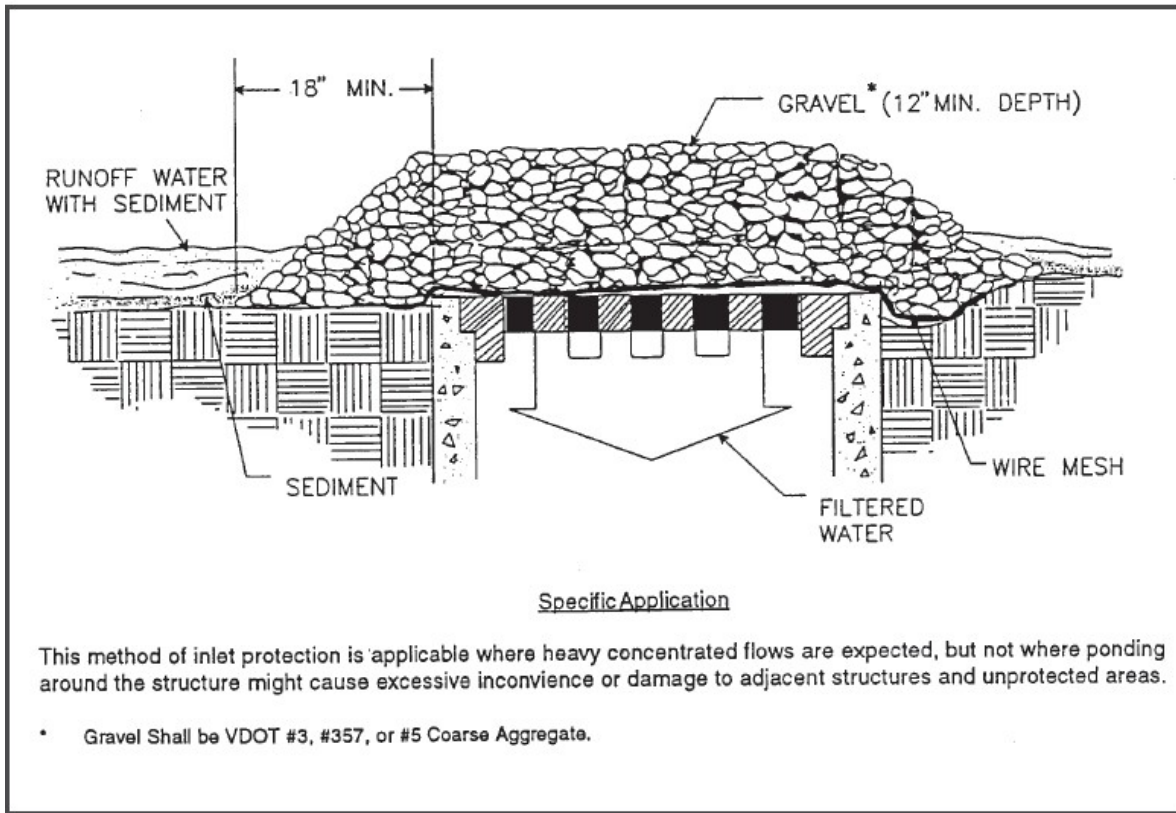


Figure 4.5c. Gravel and Wire Mesh Drop Inlet Sediment Filter

Source: Virginia DSWC

Figure 3 - Gravel Filters for Area Inlets

CHAPTER 4: BEST MANAGEMENT PRACTICES FOR EROSION AND SEDIMENTATION CONTROL

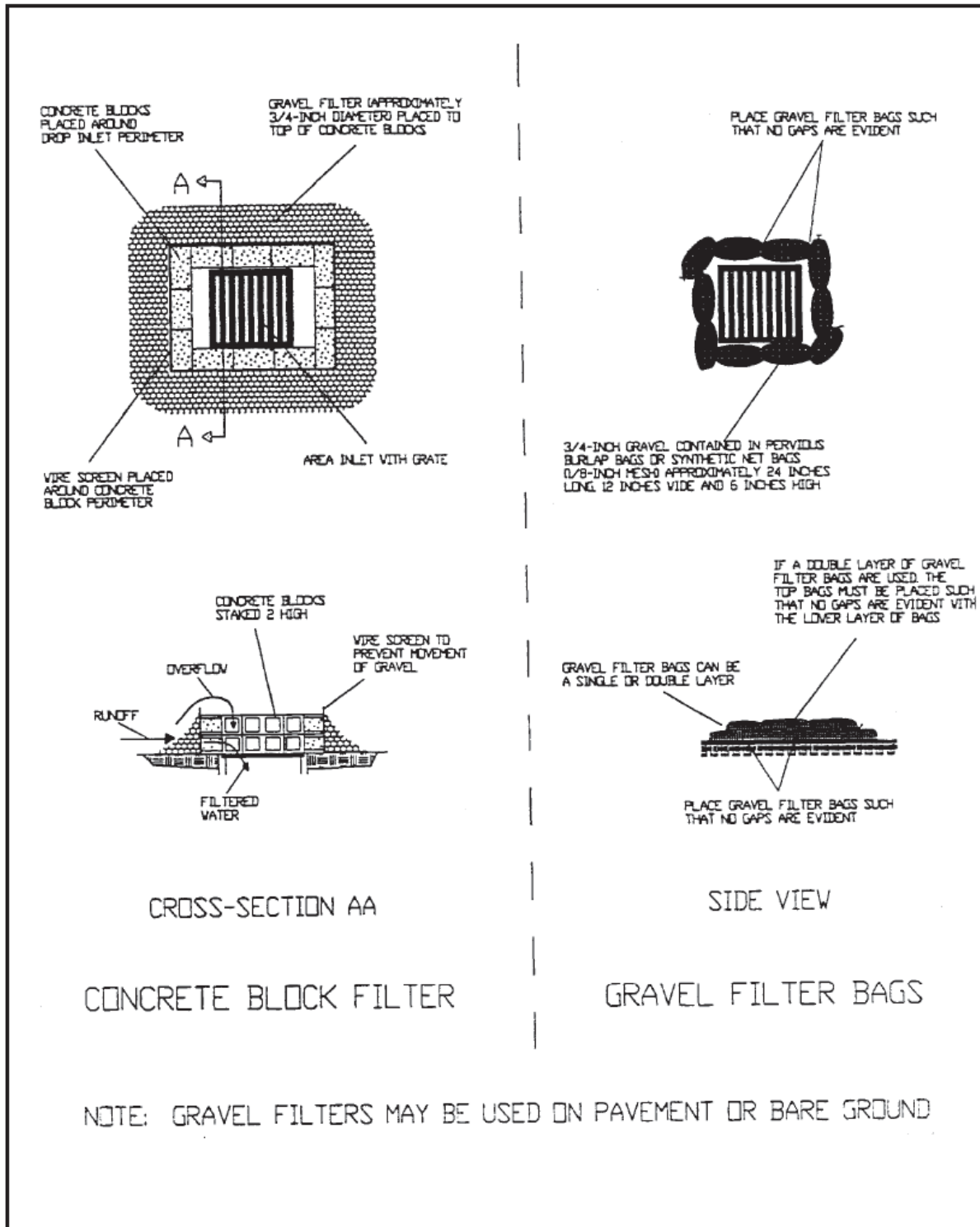


Figure 4.5e. Gravel Filters for Area Inlets

Source: HydroDynamics, Inc.

Figure 4 - Block and Gravel Curb Inlet Sediment Barrier

CHAPTER 4: BEST MANAGEMENT PRACTICES FOR EROSION AND SEDIMENTATION CONTROL

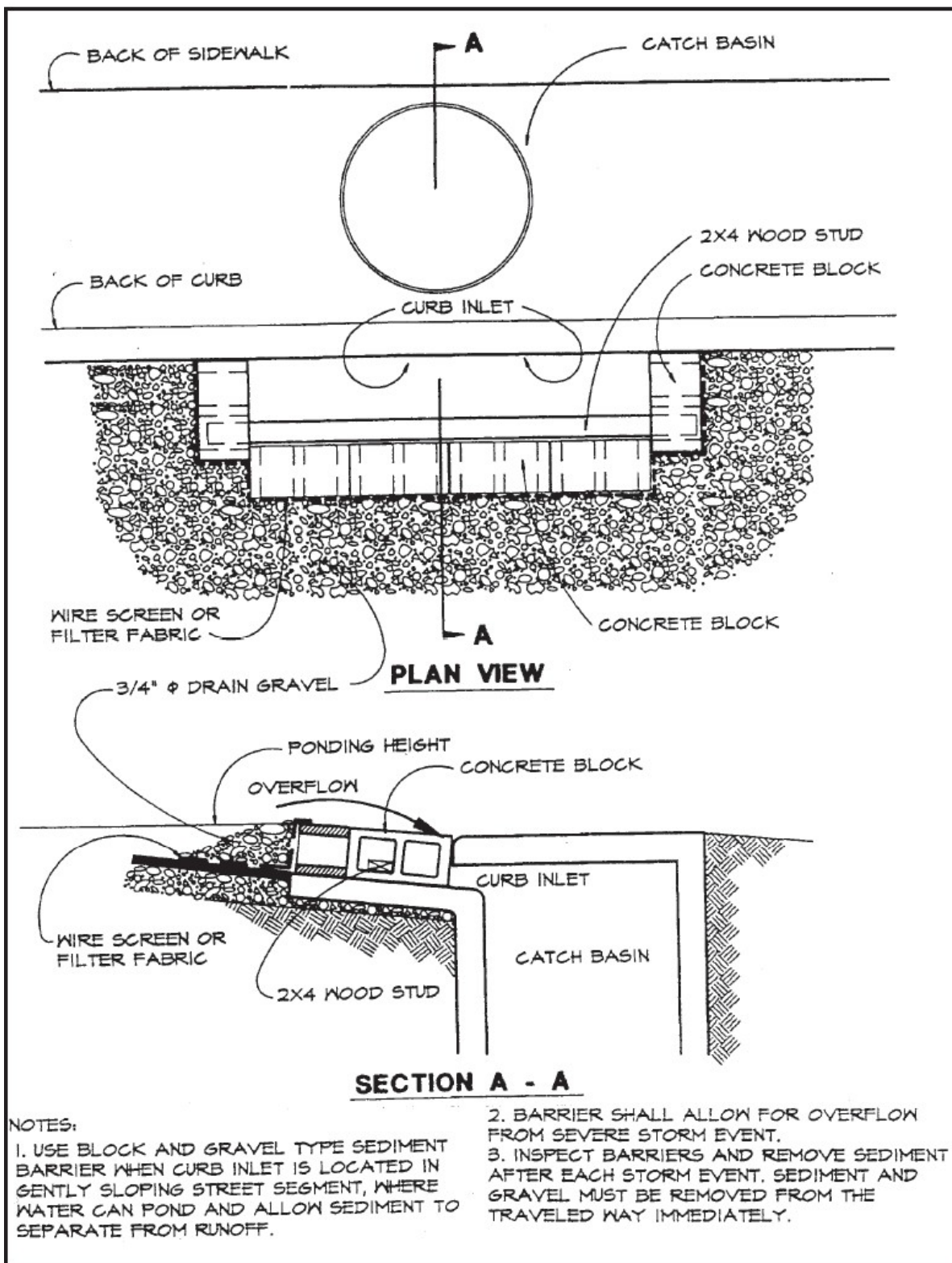


Figure 4.5i. Block and Gravel Curb Inlet Sediment Barrier

Source: Erosion Draw

Figure 5 - Curb Inlet Gravel Filters

CHAPTER 4: BEST MANAGEMENT PRACTICES FOR EROSION AND SEDIMENTATION CONTROL

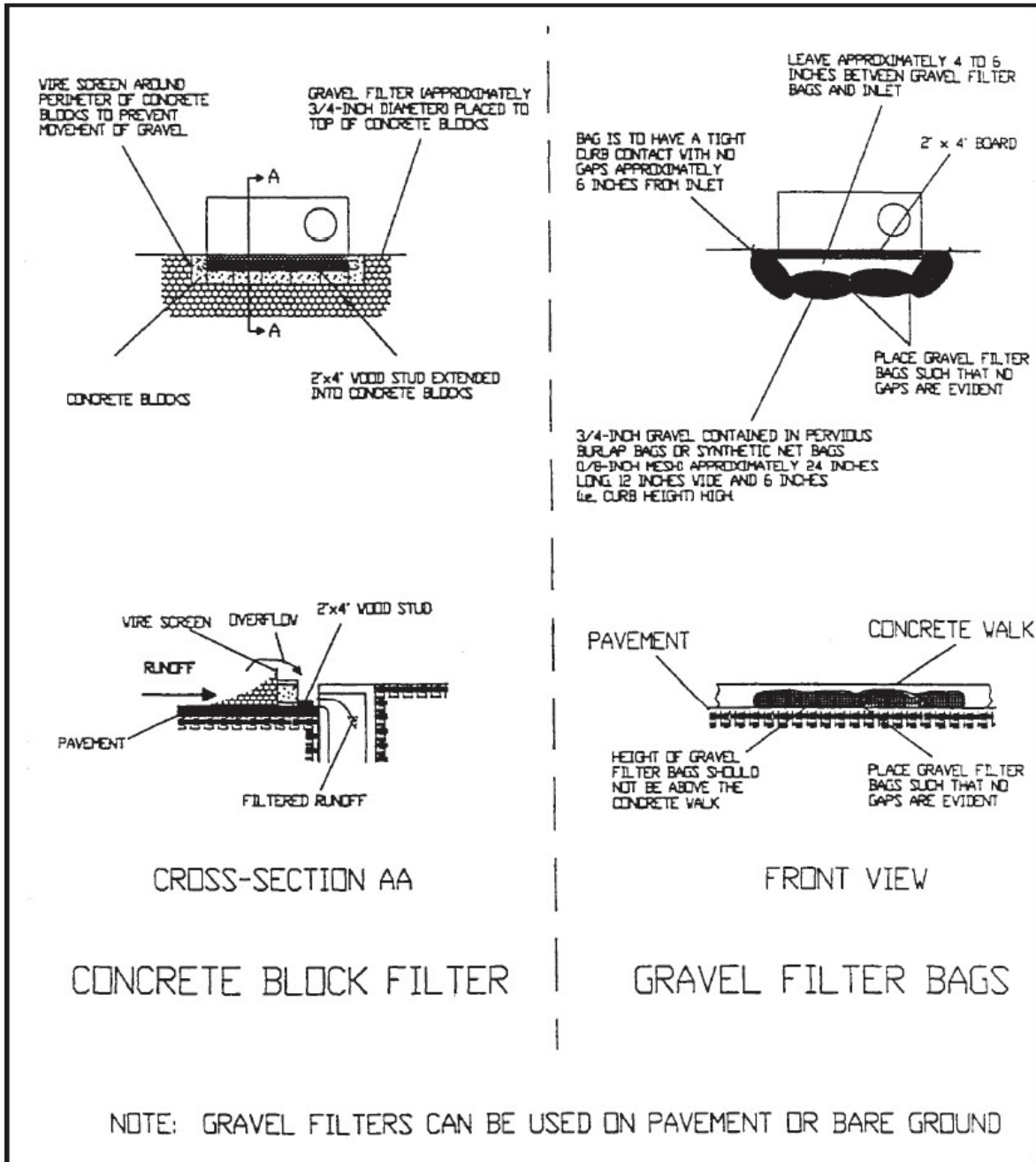


Figure 4.5j. Curb Inlet Gravel Filters

Source: HydroDynamics, Inc.

Figure 6 - Curb Inlet Sediment Barrier

CHAPTER 4: BEST MANAGEMENT PRACTICES FOR EROSION AND SEDIMENTATION CONTROL

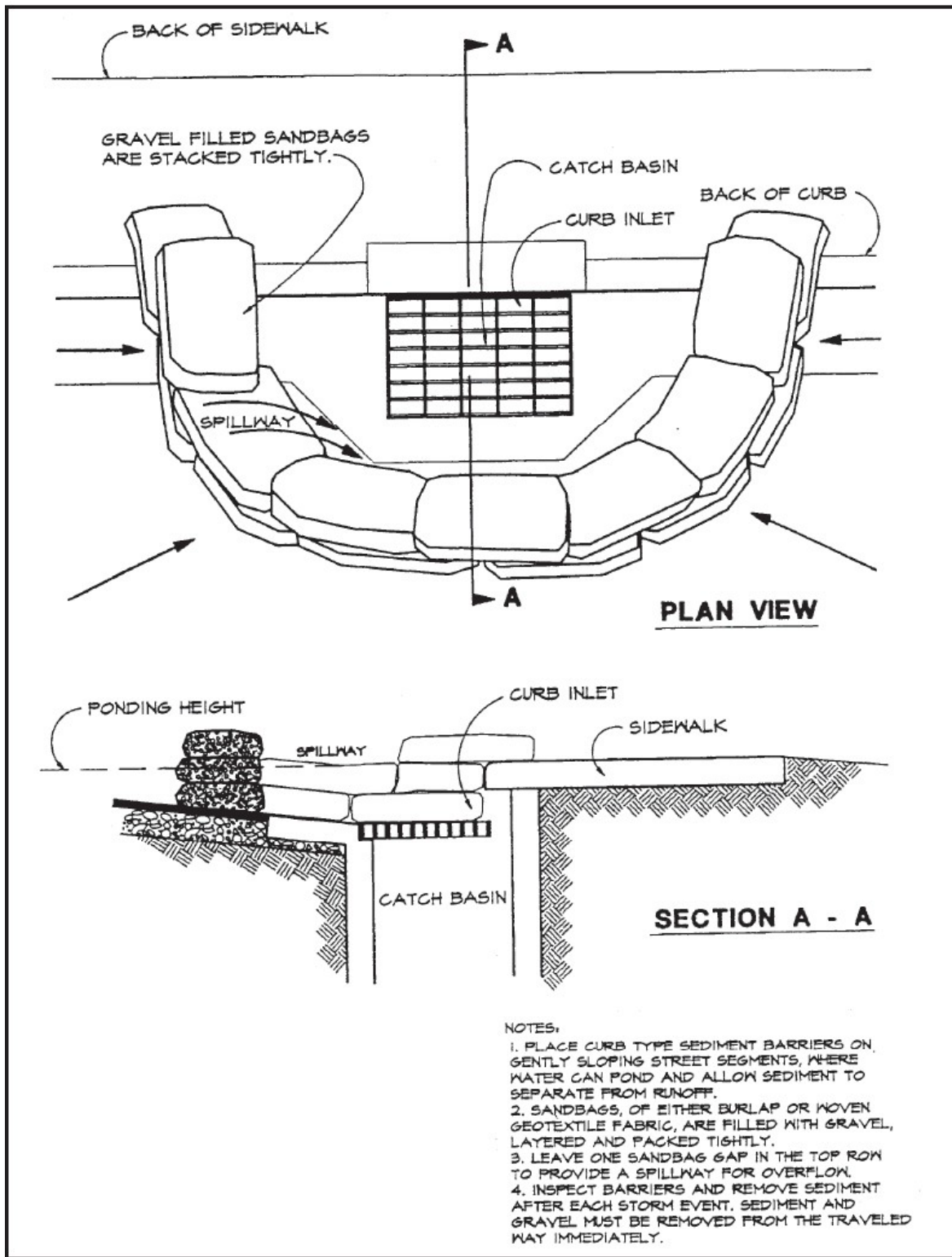


Figure 4.5k. Curb Inlet Sediment Barrier

Source: Erosion Draw

Attachment C: Stacked Turbidity Barrier (Silt Fence)

Silt Fence

Definition:

A temporary sediment barrier consisting of a filter fabric stretched across and attached to supporting posts and entrenched. Some silt fence is wire reinforced for support.

Purpose:

The purpose of a silt fence is to slow the velocity of water and retain sediment on site.

Planning Considerations:

Silt fences can trap a much higher percentage of suspended sediments than straw bales and are preferable to straw barriers and many cases. The most effective application is to install two parallel silt fences spaced a minimum of three feet apart. The installation and maintenance methods outlined here can improve performance.

Design Criteria:

1. No formal design is required for many small projects and minor incidental applications.
2. Silt fences shall have an expected usable life of six months. They are applicable around perimeters and stock piles, and at temporary locations where continuous construction changes the earth contour and runoff characteristics.
3. Silt fences have limited applicability to situations in which only sheet or overland flows are expected. They normally cannot filter the volumes of water generated by channel flows, and many fabrics do not have sufficient structural strength to support the weight of water ponded behind the fence line.

Construction Specifications:

Materials

1. Synthetic filter fabric shall be pervious sheet of propylene, nylon, polyester, or polyethylene yarn. It shall contain ultraviolet ray inhibitors and stabilizers to provide a minimum of 6 months of expected usable construction life at a temperature range of 0°F to 120°F (-17°C to 49°C).
2. The stakes for a silt fence shall be 1 x 2 inches (2.5 x 5 cm) wood (preferred), or equivalent metal with a minimum length of 3 feet (90 cm).
3. Wire fence reinforcement for silt fences using standard-strength filter cloth shall be a minimum of 36 inches (90 cm) in height, shall be a minimum 14 gauge, and shall a maximum mesh spacing of 6 inches (15 cm).

Sheetflow Application: Silt Fence

1. The height of a silt fence shall not exceed 36 inches (90 cm). Higher fences may impound volumes of water sufficient to cause failure of the structure.
2. The filter fabric shall be purchased in a continuous roll cut to the length of the barrier to avoid the use of joints. When joints are necessary, filter cloth shall be spliced as described in Item 8 below.
3. Posts shall be spaced a maximum of 10 feet (3 m) apart at the barrier location and driven securely into the ground a minimum of 12 inches (30 cm). When extra-strength fabric is used without the wire support fence, post spacing shall not exceed 6 feet (1.8 m).
4. A trench shall be excavated approximately **4 inches (10 cm) wide and 4 inches (10 cm) deep** along the line of posts and upslope from the barrier.
5. When standard-strength filter fabric is used, a wire mesh support fence shall be fastened securely to the upslope side of the posts using heavy duty wire staples at least 1 inch (25 mm) long, tie wires, or hog rings. The wire shall extend into the trench a minimum of 2 inches (5 cm) and shall not extend more than 36 inches (90 cm) above the original ground surface.

6. The standard-strength filter fabric shall be stapled or wired to the fence and 8 inches (20 cm) of the fabric shall be extended into the trench. The fabric shall not extend more than 36 inches (90 cm) above the original ground surface.
7. When extra-strength filter fabric and closer post spacing are used, the wire mesh support fence may be eliminated. In this case, the filter fabric is stapled or wired directly to the posts with all other provisions of Item 6 applying.
8. When attaching 2 silt fences together, place the end post of the second fence inside the end post of the first fence. Rotate both posts at least 180 degrees in a clockwise direction to create a tight seal with the filter fabric. Drive both posts into the ground and bury the flap (See Figure 14 – Silt Fence Installation)
9. The trench shall be backfilled and the soil compacted over the filter fabric.
10. The most effective application consists of a double row of silt fences spaced a minimum of 3 feet apart, so that if the first row collapses it will not fall on the second row. Wire or synthetic mesh may be used to reinforce the first row (See Figure 15 – Double Row Stacked Silt Fence).
11. When used to control sediment from a steep slope, silt fences should be placed away from the toe of the slope for increased holding capacity (See Figure 16 – Proper Placement of Silt Fence at Toe of Slope).
12. Silt fences shall be removed when they have served their useful purpose, but not before the upslope area has been permanently stabilized.

Maintenance:

1. Silt fences shall be inspected within 24 hours after each ½ inch rainfall event and at least once a week. Any required repairs shall be made immediately.
2. Should the fabric on a silt fence decompose or become ineffective before the end of the expected usable life and the barrier is still necessary, the fabric shall be replaced promptly.
3. Sediment deposits should be removed when deposits reach approximately one-half the height of the barrier.
4. Any sediment deposits remaining in place after the silt fence is no longer required shall be dressed to conform to the existing grade, prepared, and seeded.

Figure 7 - Silt Fence Detail

CHAPTER 4: BEST MANAGEMENT PRACTICES FOR EROSION AND SEDIMENTATION CONTROL

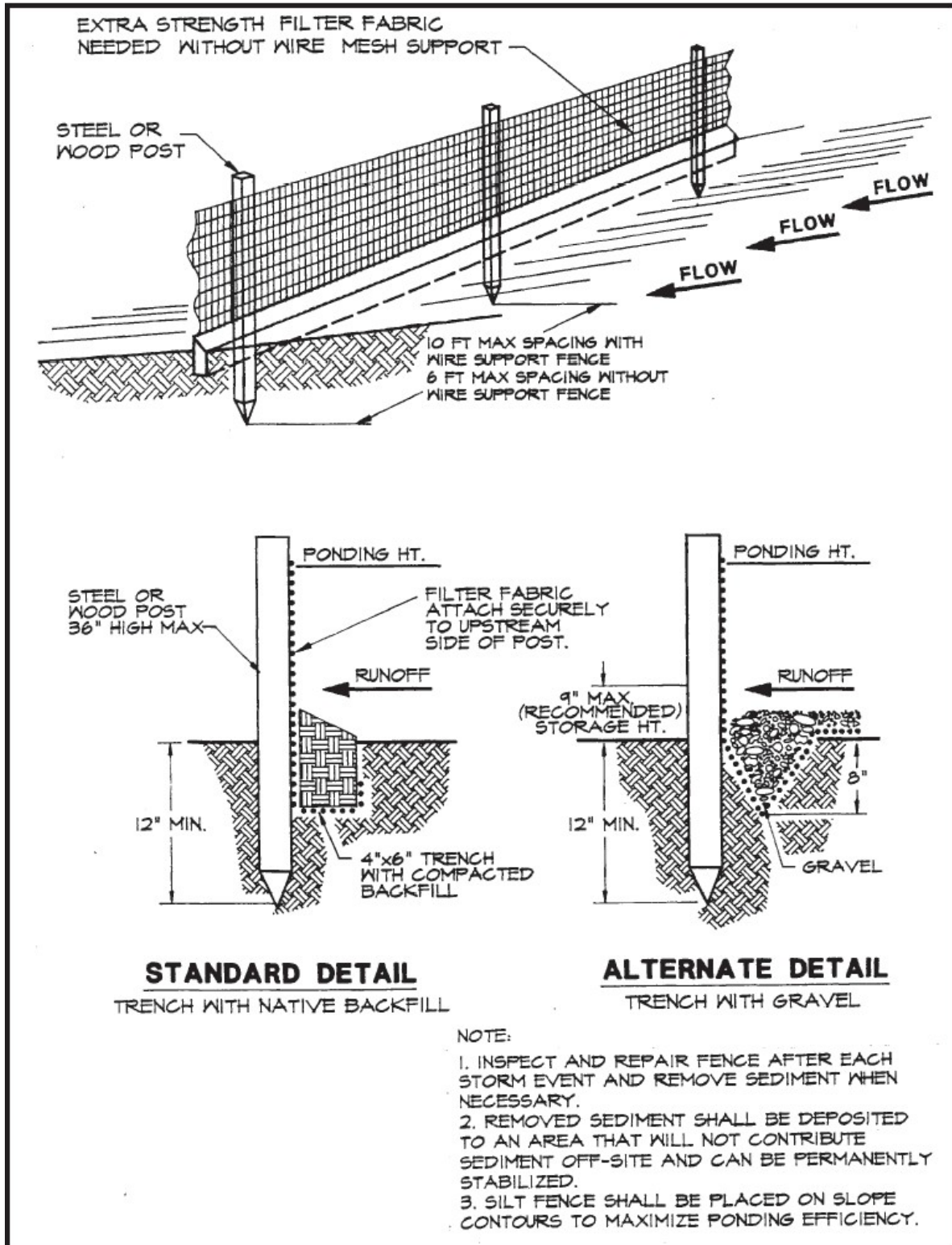


Figure 4.4a. Silt Fence

Source: Erosion Draw

CHAPTER 4: BEST MANAGEMENT PRACTICES FOR EROSION AND SEDIMENTATION CONTROL

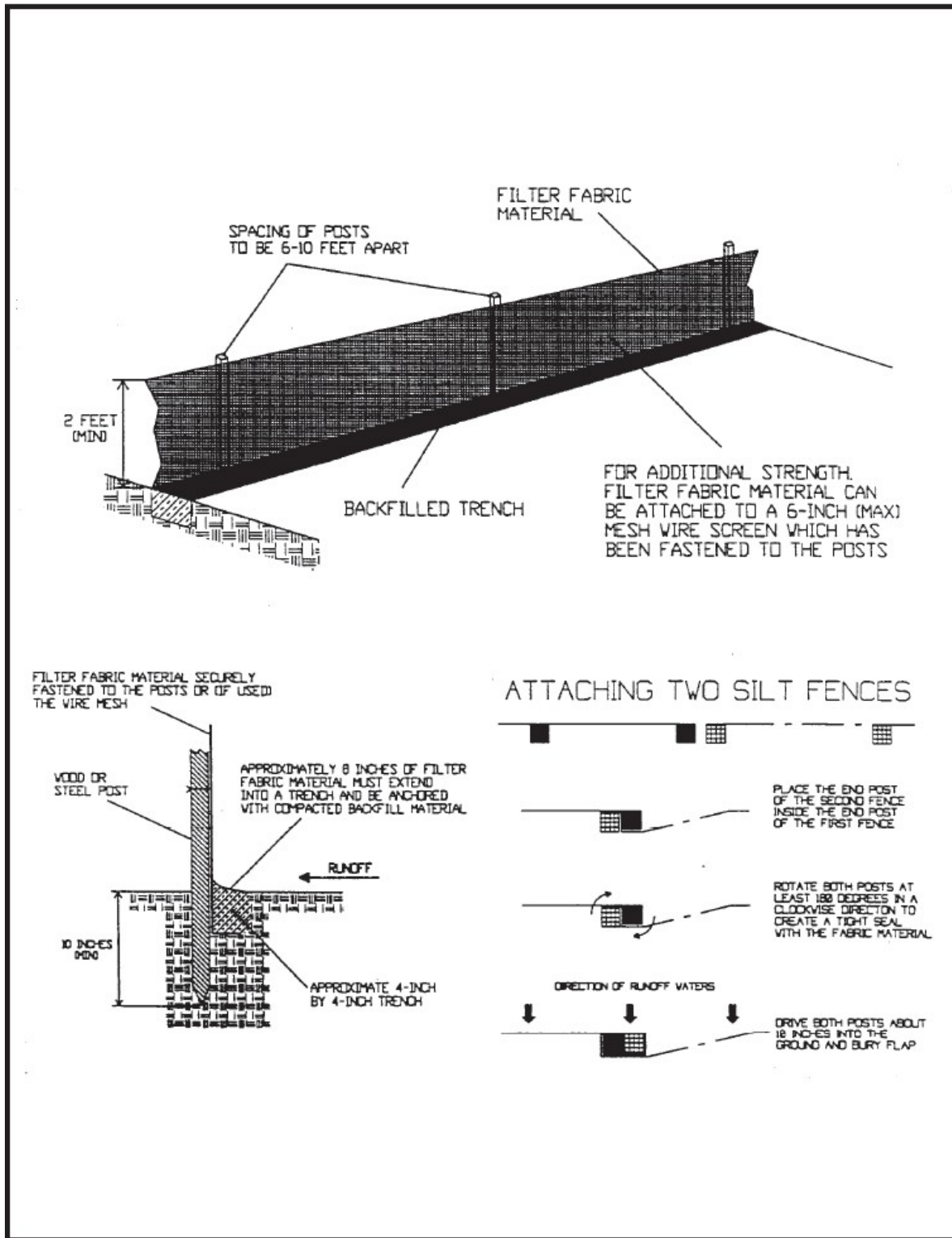


Figure 4.4b. Installing a Filter Fabric Silt Fence

Source: HydroDynamics, Inc.

References:

Florida Stormwater Erosion and Sedimentation Control Inspector's Manual
Florida Department of Environmental Protection
Nonpoint Source Management Section
Tallahassee, Florida
July 2008

Sec. 50-11. - Demolition of structures.

- (a) *Demolition permit required.* It shall be unlawful to remove or demolish any building or structure, or any part thereof without first applying for and receiving a demolition permit from the Town. Any Person requiring a demolition permit, in addition to filing an application therefore, shall pay all fees as required in this article. The actual time of demolition, cleanup, and where applicable, regarding and revegetation shall not exceed 90 days from the date of issuance.
- (b) *Submission of plans, bond.* Prior to the issuance of any demolition permit the applicant shall submit to the Town Building Official for review and approval two copies of a demolition plan, a regrading and revegetation plan, and a cash performance bond in the amount of 150 percent of the estimated cost of implementing the regrading and revegetation plan.
- (c) *Demolition plan.* The demolition plan shall include:
 - (1) A written description and/or graphic display of the buildings and/or portions of buildings to be demolished.
 - (2) A description of the means of demolition to be utilized.
 - (3) The expected date for demolition to begin.
 - (4) The estimated number of days necessary to complete the demolition and remove the resulting debris.
 - (5) Any additional documentation that may be required by the Building Department.
- (d) *Re-grading and revegetation plan.* The re-grading and revegetation plan shall be prepared by a State registered landscape architect and shall include:
 - (1) A regrading plan providing for the regrading of the site so that it will be generally smooth and level so that there are no drop-offs, holes or other features which might pose a safety hazard or threaten to damage adjacent property or any areas likely to hold standing water that might pose a potential health or safety hazard.
 - (2) A revegetation plan providing that the site shall be revegetated by being properly treated with topsoil, sodded with a lawn grass commonly used in Miami-Dade County, and maintained until growth is self-sustaining consistent with the requirements of chapter 52. If the demolition site is beachfront property and the landscape architect determines that portions of the site are not suitable for revegetation with any of the lawn grasses commonly used in Miami-Dade County, then the Town Manager or designee may approve revegetation of those portions of the demolition site with appropriate native vegetation suitable for coastal conditions. The Town will not approve any proposed landscape east of the Coastal Construction Control Line (CCCL) line without prior approval from the State Department of Environmental Protection.
 - (3) A written estimate, certified by a registered landscape architect, specifying the cost of implementing the regrading and revegetation plans.
 - (4) The estimated number of days necessary to complete the implementation of the regrading and revegetation plan. The regrading and revegetation plan, other than the maintenance period necessary to achieve self-sustained growth, shall be completed within 90 days from the date the demolition permit is issued except where complete plans for reconstruction are submitted within 90 days from the date the demolition permit is issued and foundation work on the property is commenced within 180 days from the date the demolition permit is issued.
- (e) *Regrading and revegetation bond.* The applicant shall post a cash performance bond running to the Town equal to 150 percent of the estimated cost of implementing the regrading and revegetation plan, to ensure the regrading and revegetation of the property within the time required by this section and otherwise to protect the Town against any costs which it may incur for the subsequent revegetation of the property if the Owner or permit holder fails to complete revegetation within the time required by this section.

- (f) **Failure to regrade and revegetate site or commence construction.** If the Owner or permit holder fails to properly regrade and revegetate the property or, fails to commence foundation work within the time set forth in this section, then it shall be the duty of the Town Building Official to give written notice by registered mail to the permit holder and the Owner, as listed in the most recent property tax records of Miami-Dade County, to remedy this condition within ten days after service of such notice or within such longer time as may be specified in the notice. The notice shall be in substantially the following form:

Date: _____

Name of Owner (permit holder): _____

Address of Owner (permit holder): _____

Our records indicate that you are the Owner(s) (or permit holder for) of the following described property in the Town of Golden Beach:

An inspection of this property discloses, and the Town Building Official has found and determined, it is in such condition as to be in violation of Chapter 50, Section 50-11 of the Town Code, because of your failure to properly complete demolition, regrade and revegetate the property in accordance with the plans on file. Section 50-11 of the Town Code provides that it shall be unlawful for you to permit this condition to continue, and you are hereby notified that unless this condition is remedied so as to comply with Section 50-11 within ten days from the date hereof, you will forfeit your bond and the Town of Golden Beach will proceed to remedy such condition. Further, if the cost of such regrading and revegetation exceeds the bond amount, such additional costs along with all costs incurred in establishing such lien shall be imposed as a lien upon this property.

- (g) **Performance of work by Town; payment of costs.** Upon failure of the permit holder or Owner to remedy the conditions in violation of the requirements of this section within ten days after service of notice as provided in this section, the Town Manager, in addition to any other remedies available under applicable law, is authorized to take all necessary steps to regrade and revegetate the property utilizing the proceeds from the bond. Any necessary costs incurred by the Town for that purpose in excess of the bond amount, along with all costs incurred in establishing such lien, shall be a lien upon such property. The lien provided for shall be superior in dignity to all other liens, except those of taxes, and shall bear interest at the rate of ten percent per annum from the date that the lien is established.

(Ord. No. 511.06, § 2, 10-17-06; Ord. No. 571.16, § 2, 11-15-16)

Sec. 52-5. - Landscape approval required.

Prior to review by the Building Regulation Advisory Board, or issuance of a building permit, a Landscape Plan and Vegetation Survey shall be submitted to the Town and approved by the Town Manager or designee. No building permit shall be issued until the applicant submits and has approval of a Landscape Plan and Vegetation Survey that meet the requirements of this Code of Ordinances. All Landscape Plans must be signed and sealed by a State of Florida Registered Landscape Architect. Such materials shall be complete and comply with this section unless waived in whole or in part by the Town Manager or designee upon a determination that such information is not applicable or not essential to the review of a specific project.

- (1) A Landscape Plan including the following components shall be provided:
 - a. Drawn to a suitable scale indicating property boundaries, dimensions, north arrow, graphic scale, date and street names. Recommended scale to be one inch equals eight feet.
 - b. Location, condition, names, sizes, DBH of existing Trees and site improvements along any abutting properties within 20 feet of the property lines, including rights-of-way.
 - c. Delineate proposed structures, overhangs, vehicular use areas, fences, mechanical equipment, sidewalks, decks, pools, locations of utilities and similar features.
 - d. Location and outline of existing structures and site improvements to remain.
 - e. Designate common and scientific name, location, size (in height, spread and trunk Caliper), quantity, and quality of living plant material proposed to be installed or maintained on the site.
 - f. Identify and describe the location and characteristics of all non-living Landscape Materials.
 - g. Show all Landscape Features, areas of vegetation required to be preserved by law, (including but not limited to Trees, plants, Shrubs, Native Habitats, wetlands, and mangroves), in context with the location and outline of existing and proposed buildings, fences, and other structural improvements being contemplated on the site.
 - h. Location of existing and proposed easements, rights-of-way, drainage structures, overhead utility wires, underground utilities, above ground electrical elements, and transformers.
 - i. All Planting Detail and specifications including but not limited to staking, method of Vine attachment, fertilization, topsoil, planting soil, mulching, applicable drainage, root barriers, Tree protection, and any other subsurface treatments specifications and general notes.
 - j. Indicate method to protect Trees during construction in accordance with section 52-14, "Tree protection requirements during construction".

- k. Indicate method(s) to relocate Trees during construction.
 - l. Include a landscape tabulation indicating the minimum requirements under this Chapter; plant material and the quantity, quality, size, and species of all plant material to be planted, preserved, or relocated; net lot area; square footage of paved area; square footage of Pervious Area, street lengths, property lines, percentages of sod, native/drought tolerant percentages; and such other information as may be required by the Town Manager or designee to make a determination that the Landscape Plan meets the requirements of this section.
 - m. An in-ground irrigation plan meeting the requirements of section 52-11, "Irrigation requirements".
 - n. Such other information that may be required to give a complete understanding of the proposed plan.
- (2) Vegetation Survey. A Vegetation Survey shall be provided for all sites at the same scale as the Landscape Plan. The Vegetation Survey shall be accompanied by an aerial photograph which outlines the subject site without obscuring its features. The Vegetation Survey must be signed and sealed by a State Registered Landscape Architect and shall provide the following information:
- a. The accurate location and graphic representation, in relation to existing development, of all existing Trees of a minimum two-inch DBH or ten-foot height or, for native Trees, of a minimum one and one-half DBH or eight-foot height, including those which are proposed to be removed, relocated or preserved on site in accordance with the requirements of Section 18-A and Section 24-60 of the Miami-Dade County Code.
 - b. The boundaries of any Native Habitat, Native Plant Community, Native Plant Species, as determined by the Department of Regulatory and Economic Resources (DRER).
 - c. A table showing the following information:
 - 1. The common and scientific name of each Tree, each of which shall be numbered.
 - 2. The Diameter at Breast Height (DBH) of each Tree, or if a multiple trunk Tree, the sum DBH for all trunks.
 - 3. An estimate of the height, Canopy cover, and physical condition of each Tree, and whether Specimen Tree(s) exist on site.

(Ord. No. 571.16, § 3, 11-15-16)

Sec. 52-12. - Tree removal permit required.

It is the intent and desire of the Town to preserve and enhance the Tree Canopy in the Town for aesthetic and environmental reasons. No Person shall cut down, destroy, remove, relocate, destructively damage or cause to be cut down, destroyed, removed, relocated or destructively damage any Tree without first

obtaining a permit from the Town as required by Chapter 24 of the Miami-Dade County Code of Ordinances. Tree Removal Permits shall be processed by the Town in the same manner, pursuant to the same requirements and guidelines as provided by Section 24.49 of the Miami-Dade County Code of Ordinances. All Tree removal permit exemptions provided therein shall also apply. The issuance of a Tree removal permit from the Town shall require proof that a permit has been obtained from the Miami-Dade County Department of Regulatory & Economic Resources, if such permit is required by Division 2 "Tree Preservation and Protection" of Chapter 24 of the Miami-Dade County Code of Ordinances. No Trees shall be removed from any public land including, but not limited to rights-of-way and Swale areas, without the approval of the Town Manager or designee. Under no circumstances may any Person remove a Tree where the resulting number of Trees (excluding any prohibited Trees) on the property is less than the number of Trees required by this Code.

(Ord. No. 571.16, § 3, 11-15-16)



TOWN OF GOLDEN BEACH

One Golden Beach Drive, Golden Beach, FL 33160
Phone: (305) 932-0744 Facsimile: 933-3825
Building Department hours 8:30am-12:00pm and 1:30pm-3:30pm
Closed On Fridays at 12 Noon

WET DEMOLITION ACKNOWLEDGEMENT

I, _____ acknowledge the requirement of providing wet demolition during the demolition process.

Date: _____

Signature: _____

Print Name _____

Company Name: _____

Company Email Address: _____

Main Company phone number: _____

Cellular Phone Number: _____



TOWN OF GOLDEN BEACH

BUILDING DEPARTMENT
 1 Golden Beach Drive
 Golden Beach, FL 33160
 Office: 305-932-0744 Fax: 305-933-3825
www.goldenbeach.us

FOR OFFICE USE ONLY	
Process No:	_____
Date Applied	_____
Clerk	_____

Master Permit Number: _____
 Master Sub- Permit

PERMIT APPLICATION

1. OWNER INFORMATION	Owner _____			2. CONTRACTOR INFORMATION	Company Name _____				
	Address _____				Qualifier Name _____				
City _____ ST _____ Zip _____			Address _____			City _____ ST _____ Zip _____			
Job Address _____			Lic. No. _____ Phone No. _____			Phone No. _____			
Phone No. _____									
3. PERMIT TYPE	Choose only One	Building	4. CHANGE TO AN EXISTING PERMIT	Revision	4. TYPE OF IMPROVEMENT	New Construction	Roof	Pool	
		Electrical		Renewal		Addition Attached	Driveway	Gazebo-Pergola	
		Mechanical		Shop Drawing	Alteration Interior		Fence	Demolition/ Partial	
		Plumbing		Public Works	Alteration Exterior		Windows	Generator	
		Landscape		_____	Repair/Replace		Doors	_____	
		Roofing							
5. ARCHITECT/ENGINEER INFO	Name _____			7. LEGAL/USE/WORK VALUE	Folio No. 19-1235-_____				
	Address _____				Lot(s) _____ Block _____ PB _____				
City _____ ST _____ Zip Code _____						Square FT. _____ Linear FT. _____			
Lic. No. _____ Discipline _____						Estimated Value of the Work: _____			
Phone No. _____						Description of Work _____			
6. CONTACT INFO	Name _____						_____		
	E-mail _____						_____		
Phone No. _____						_____			

Application is hereby made to obtain a permit to do the work and/or installations as indicated. I certify that no work or installation has commenced prior to the issuance of a permit and that all work will be performed to meet the standards of all laws regulating construction in this jurisdiction. I understand that a separate permit must be secured for Electrical, Plumbing, Mechanical, Windows, Doors, Roofing, Site Walls, Fencing, Driveways, Pools, Spas, Pool Decks, Outdoor Kitchens, Accessory Structures, Irrigation, Landscape and Landscape Lighting work and other categories not mentioned.

Owner's Affidavit: I certify that all the foregoing information is accurate and that work will be done in compliance with all applicable laws regulating construction and zoning.

NOTICE REGARDING BUILDING PERMIT APPLICATIONS

The Completion and submission of a Building Permit Application is a requirement of securing a Building Permit. The Town will rely upon the information contained in the Application in determining whether a Building Permit should be issued. The submission of inaccurate, misleading or misrepresented information in the Application shall subject the Building Permit to denial, suspension or revocation, and the individual applying for the permit, to all appropriate fines, penalties and other punishments authorized by law. **KINDLY GOVERN YOURSELF ACCORDINGLY.**

WARNING TO OWNER: YOUR FAILURE TO RECORD A NOTICE OF COMMENCEMENT MAY RESULT IN YOU PAYING TWICE FOR IMPROVMENTS TO YOUR PROPERTY. IF YOU INTEND TO OBTAIN FINANCING, CONSULT WITH YOUR LENDER OR AN ATTORNEY BEFORE RECORDING YOUR NOTICE OF COMMENCEMENT.

8. OWNER INFORMATION	Print Name _____	Owner's Signature _____	9. QUALIFIER INFORMATION	Print Name _____	Qualifier's Signature _____
	Date _____	Notary Public- State of Florida at Large _____		Date _____	Notary Public- State of Florida at Large _____
Notary Stamp			Notary Stamp		

DO NOT WRITE BELOW - FOR OFFICE USE ONLY

Approvals	APPROVED/DATE	DISAPPROVED/DATE	FEE CATEGORIES:	FEES \$
Building			Permit Fee	
Structural			Street Sweeping	
Electrical			Trash Removal	
Mechanical			Scanning	
Plumbing			Infrastructure	
Landscaping			BCCD	
Zoning			Education	
Building Dir			State Surcharge	
Publics Works			Sub-Total	
Grading / Drainage			Process Fee	
			Total Fees	



TOWN OF GOLDEN BEACH

One Golden Beach Drive, Golden Beach, FL 33160

Phone: (305) 932-0744 Facsimile: (305) 933-3825

SUBMITTAL CHECKLIST

To: Town of Golden Beach
1 Golden Beach Drive,
Golden Beach, FL 33160

Phone: (305)932-0744 ● Email: onlinepermits@goldenbeach.us

Date ___/___/___

Permit Number: _____

Master Permit: _____

For Review By: (check all applicable spaces)

Zoning Civil/ Drainage Building Structural Mechanical Electrical Plumbing
Landscape Public Works

Owner's name: _____

Job Address: _____

Owner's Email _____

Contact person: _____

E-Mail Address: _____

Phone: (____) _____

Fax: (____) _____

PLANS SUBMITTED: (CROSS)

Architectural
Sheet # _____

Landscape
Sheet # _____

Structural
Sheet # _____

PLANS MUST BE IN THE FOLLOWING ORDER:

Electrical
Sheet # _____

G for General Sheets: Cover sheet, plan index, and location plans.

Mechanical
Sheet # _____

A for Architectural drawing

Plumbing
Sheet # _____

C for Civil drawings

Zoning
Sheet # _____

S for Structural

M for Mechanical

E for Electric

Civil
Sheet # _____

P for Plumbing

IR for Irrigation

L for Landscaping

DERM approved plans

WE ARE SUBMITTING TO YOU (CROSS)

online submission
initial (original) set of plans
answering comments
revision (permitted) plans
sub-permits
shop drawings- show drawing review stamp
(Architech/ Engineer of record signature)
landscape (electronic plans)- submittal
civil (electronic plans)- submittal
product approvals

executed contract
initial/ final survey
spot survey
energy (insulation) certification
special inspector letter / form
soil reports
inspection reports
pile logs
NOAs
wind loads
certificate of elevation
outside agencies
energy calculations
site plans
other _____

NOTE: Civil and Landscape plans are required to be submitted via hard copy and electronically: email to onlinepermits@goldenbeach.us make sure to reference your permit number. Please submit the day of your submission not earlier along with this submission form.

Special Instructions

For Departmental Use Only:

Received by: _____ Date: ___/___/___

PERMIT APPLICATION CHECKLIST

GENERAL

Please verify that your permit application package contains all applicable items which are *required for permit issuance*

- * Permit application (s) completely filled out (Sub-permit which can be submitted after Master Permit issuance). For Zone 1 (east side of Ocean Blvd.) refer to the requirements for Habitable Structures Located Seaward CCCL
- *Copy of a signed contract between the Contractor and Owner as well as any Sub-Contractors showing all costs of construction this includes labor, material and any owner supplied items required to complete construction.
- * Two (2) sets of plans drawn to scale (signed and sealed by designer when required by Code)
- * Two (2) plot plans or surveys (in both NGVD and NAVG 88)
- * Two (2) product approvals (must submit all sheets and additional information required by the approval) for roofs, windows, exterior doors, shutters skylights
- * Two (2) sets of energy calculation forms and heating / cooling load calculations.
- *Two (2) sets of plans with the show drawing review stamp and signed by the Architect/ Engineer of record.- REQUIREMENT SHOP DRAWINGS

PLANS MUST BE IN THE FOLLOWING ORDER:

- G for General Sheets: Cover sheet, plan index, and location plans- 24" x 36".
- A for Architectural drawing
- C for Civil drawings
- S for Structural
- M for Mechanical
- E for Electric
- P for Plumbing
- IR for Irrigation
- L for Landscaping
- DERM approved plans- submit separately- one set 11" x 17"

STAMPING PLANS FOR SUBMISSION: You should have two sets:

- ONE SET- for the TOWN and it should be stamped with the TOWN STAMP (BLUE STAMP)
- SECOND SET- for the JOB and it should be stamped with the JOB STAMP (RED STAMP)

Please make sure to stamp each page with the Signature stamp (BLUE BIG STAMP) ON BOTH SETS.

VOIDING PAGES: When voiding any page in the sets fold the corner of the end and staple it and stamp it with the VOID STAMP with the date it is being voided. You will then insert the correct page on top of the page being voided. NOTE: Do not remove any pages out of the sets.

CORRECTION: If voiding pages see above instruction how to void (if applicable). Stamp new pages with the RECEIVED STAMP and date submitting. A Narrative Summary is required to submit when submitting a correction/ revision.

BRAB SUBMISSION: Stamp every page except the application which only needs the first page stamped with the BRAB stamp with the BRAB meeting date. Each package shall consist of an application, survey, warranty deed, civil documentation and drawings as required. The plans shall be sized as follows: two set 11" x 17", and 1 USB containing all drawings marked with the address. The landscape submittal should be in a separate- 2 sets -one set 11" x 17", the other full size set 24" x 36"and 1 USB containing all drawings